



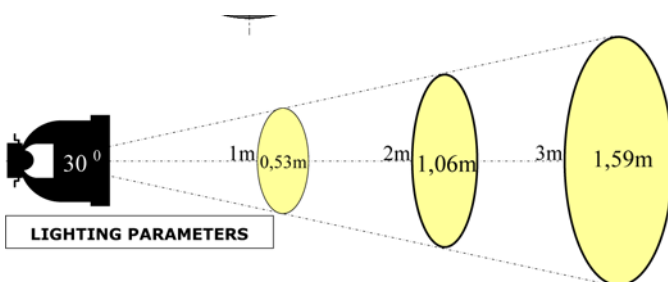
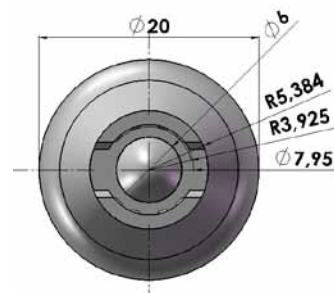
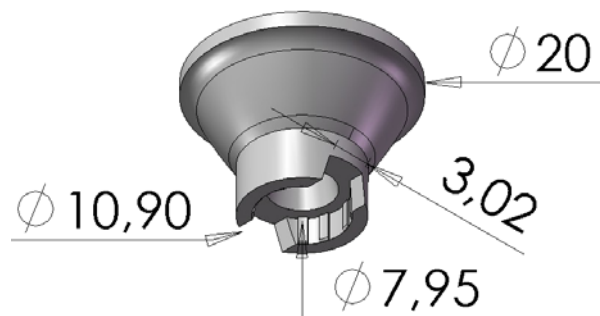
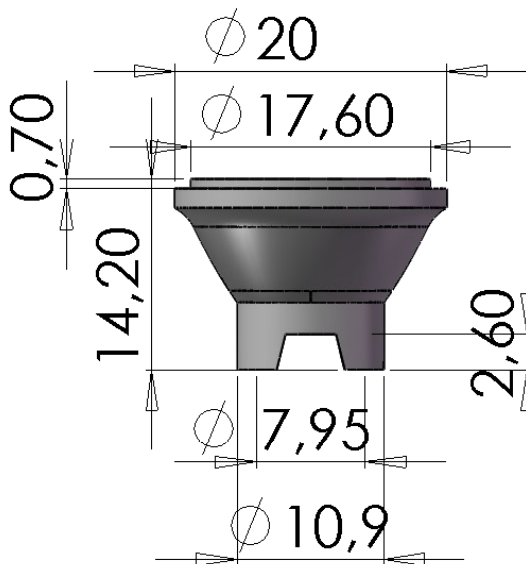
**Линза 30 градусов  
30DN1 Emitter (без оправы)**

## Типы светодиодов



## Габариты. Упаковка

Кол-во в коробке	100 X 8 = 800 ед
Размер коробки	24*24*14 cm
Вес коробки	2,600 Kg



**TURLENS USE :** Street Lighting , Office Lighting , Home Lighting , Stage Lighting , Architectural Lighting , Down Light Lighting , Decorative Lighting

**Lens Material :** Optical Grade Best Available Optical Efficiency

**Lens Material :** with high UV & Temperature Resistance -40°C ~ + 100°C

**Lens Material :** Light Transmittance High Productivity with 2mm Thickness

**WARNING :** If you Decide to use Glue only, Please Take Special Care of Correct Positioning